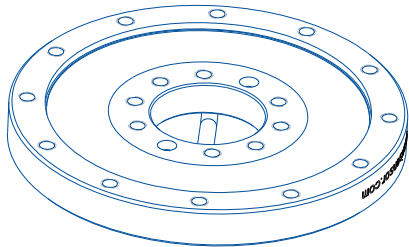
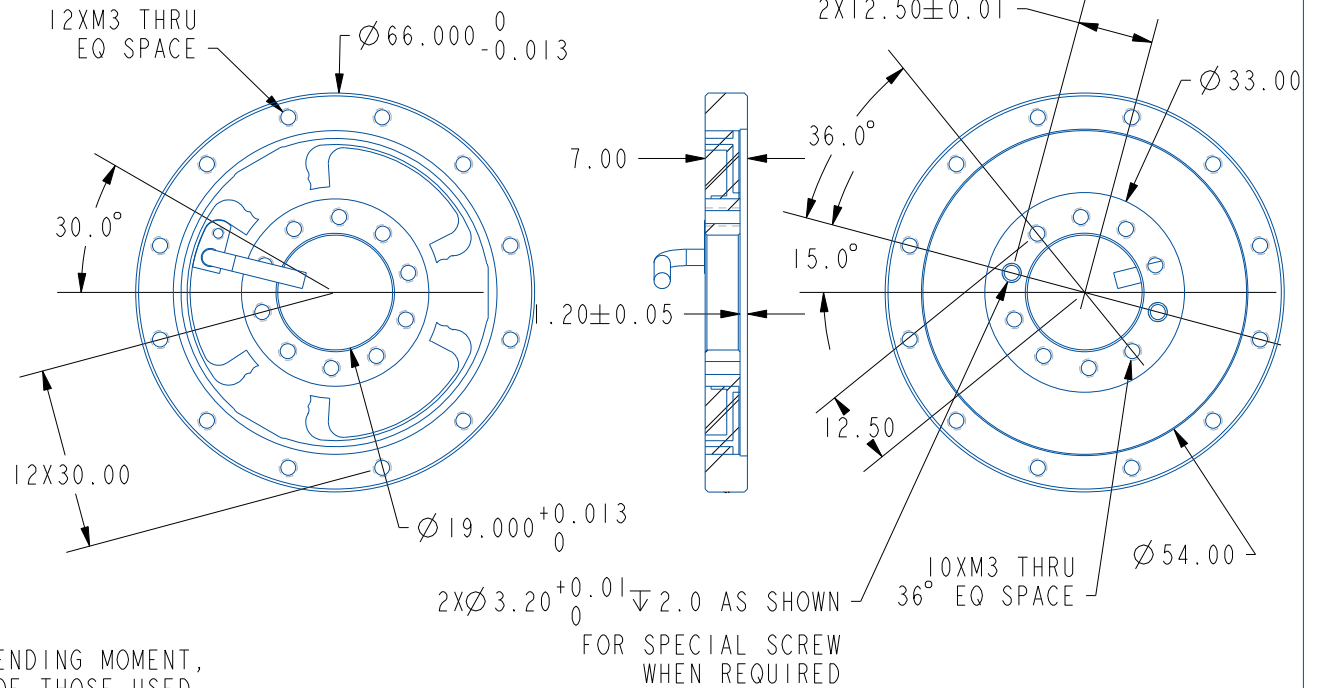


SCALE 0.800



SCALE 0.800



NOTE: THE OVERLOAD CAPACITIES FOR BENDING MOMENT, AXIAL AND RADIAL FORCE EXCEED 300% OF THOSE USED FOR CROSSTALK MEASUREMENT

SPECIFICATIONS

CAPACITY (Nm)	50
OVERLOAD CAPACITY (%F.S.)	300
OUTPUT @ F.S. (V) NOMINAL	2.5±2
POWER SUPPLY (V)	5V
BRIDGE RESISTANCE (Ω) NOMINAL	350
NON-LINEARITY (%F.S.)	0.5
HYSTERESIS (%F.S.)	1.0
OPERATING TEMP. RANGE (°C)	-20 TO +100
CROSSTALK (%F.S.)	1.0
AXIAL FORCE FOR CROSSTALK (N)	250
RADIAL FORCE FOR CROSSTALK (N)	250
BENDING MOMENT FOR CROSSTALK (Nm)	25
TORSION ANGLE (CALCULATED)	0.04°
TORSIONAL STIFFNESS (KNm/RAD)	80
BENDING STIFFNESS (KNm/RAD)	20
MASS (KG)	0.12

WIRING CODE

COLOR	FUNCTION
RED	+EX
GREEN	+SIG
BLACK	GND
BROWN	-SIG

SUNRISE INSTRUMENTS

www.srisensor.com

SINGLE AXIS TORQUE LOADCELL
D66MM, 50 Nm

UNLESS OTHERWISE SPECIFIED
DIMENSIONS ARE IN MM

M2210W

REV.
0.1